



Installation Instructions

Electrical, Rear Hatch Internal Release

Ver 1.0

Page 1 of 5

January 2005

Accessory
Development

SUBJECT

REAR HATCH INTERNAL RELEASE SWITCH - P/N 61 31 0 394 831

MODEL

X3 (E83): All USA Vehicle Production*

* This accessory has been tested and approved for US market vehicles only.

SUGGESTED INSTALLATION TIME: 1.0 HOUR

The instructions below are developed for U.S. specification BMW vehicles only and are not to be compared to any other existing instructions for vehicles other than BMW. No methods other than those specified in this document are to be used for installation in BMW vehicles. Left and right are determined from driver's seat facing forward.

Carefully read all instructions and supplements before proceeding with the installation. Reference should be made to TIS for instructions dealing with a stock part of the vehicle, but not stated in detail in these instructions.

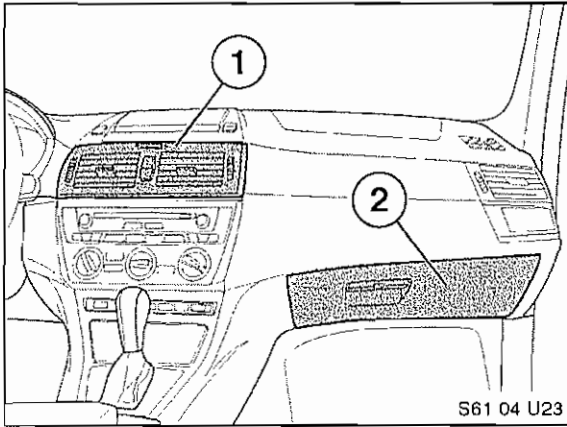
The instructions were complete and up to date at time of publication; however, changes to the vehicle or installation may have occurred. Please report any problems or changes noted with the installation to BMW Technical Hotline, along with VIN, date of manufacture and as much detail as possible.

PARTS INFORMATION

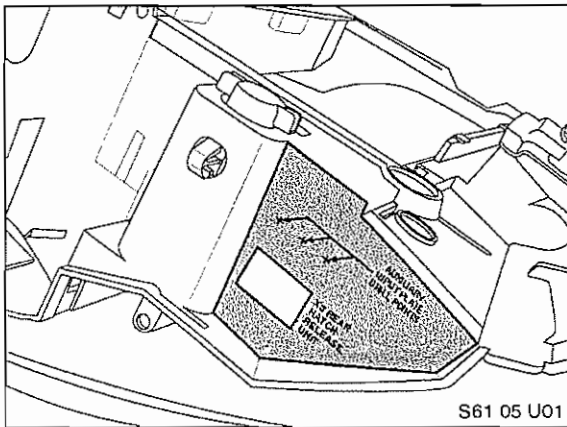
Contents of Kit - P/N 61 31 0 394 831

Description	Qty	BMW Part Number
Interior Hatch Release Harness	1	N/A
Interior Hatch Release Switch	1	61 31 6 921 846

★ ★ DO IT RIGHT THE FIRST TIME, ON TIME, EVERY TIME ★ ★

Procedure

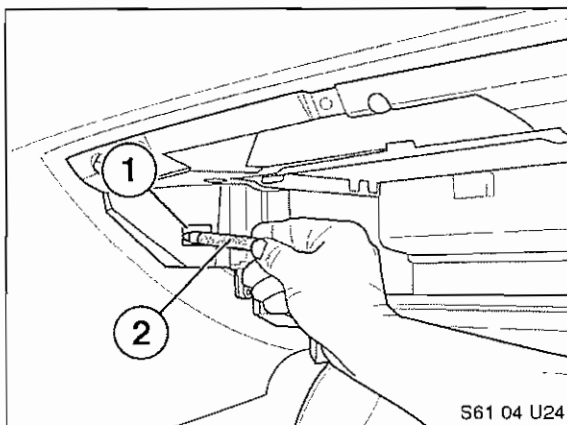
1. Disconnect battery negative terminal. Refer to TIS 12 00 ...
2. Remove glove box (2). Refer to TIS 51 16 366
3. For removal of Center Vent (1) please refer to Step 12 for more detailed information.



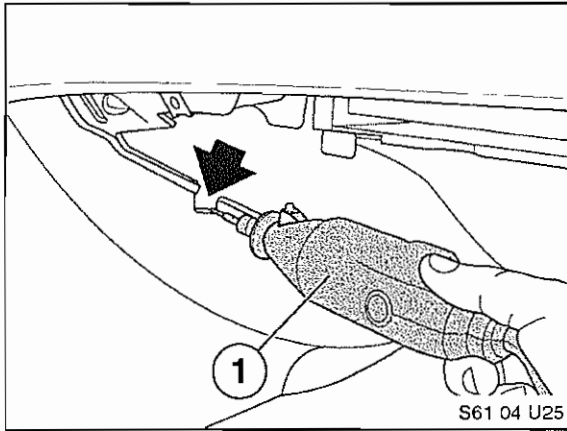
4. Carefully cut out template included in kit.

Note: This is a dual application template for locating X3 Rear Hatch Switch & Auxiliary Input Plate. Disregard auxiliary input plate drill points as it does not apply to this installation.

5. Position template on LH outer side of glove box frame as shown. Mark switch opening on glove box frame.
6. Use Dremel® or equivalent high speed rotating tool with grinding bit to grind away a majority of the material as indicated by template.
7. Use coarse and fine files to complete opening to match profile of switch and until proper fit is achieved.

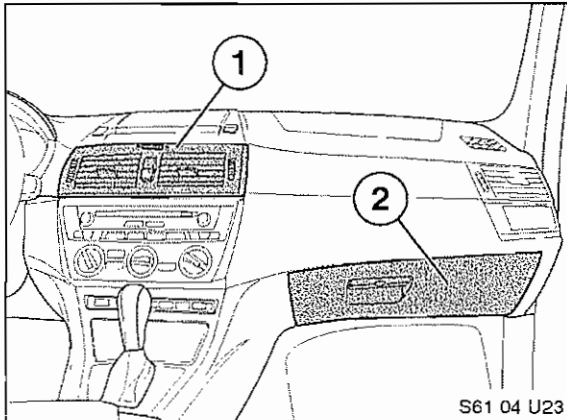


8. Temporarily re-install glove box using minimum hardware to hold glove box in proper position.
9. Use a fine point marker (2) to mark the rectangular switch opening (1) onto the RH forward trim area as shown.
10. Remove glove box.



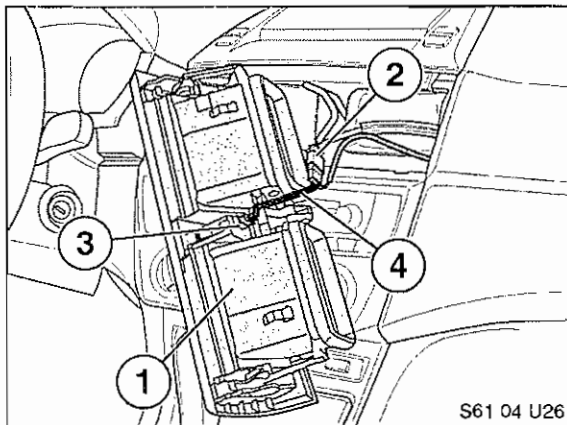
11. Use Dremel® tool or equivalent high speed rotating tool (1) with grinding bit to remove trim material (arrow) as shown.

Note: Make sure grinding bit does not make contact with interior parts behind trim panel.



12. Remove center fresh air grill (1). Refer to TIS 64 22 162.

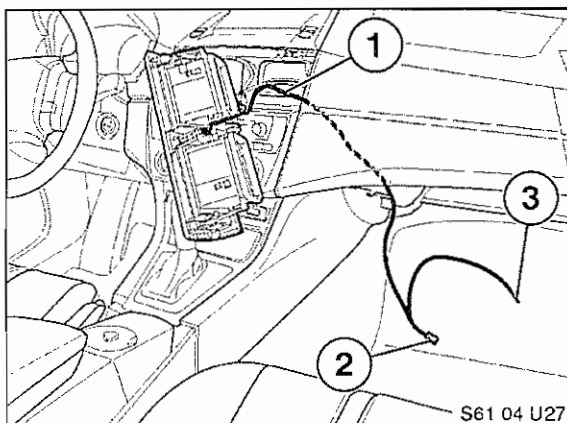
Note: Complete removal of center fresh air grill from dash is not necessary. Only partially remove (air vent control cables can remain connected) center fresh air grill to gain access to hazard warning connector.



13. Disconnect 6-position connector from hazard warning flashers/central locking switch.

14. Connect accessory harness (4) 6-position pin terminal connector to original harness 6-position socket terminal connector (2) as shown.

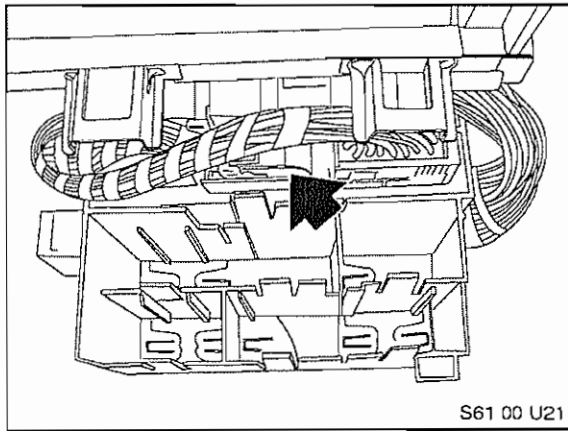
15. Connect accessory harness (4) 6-position socket terminal connector to hazard warning flashers/central-locking switch (3) as shown.



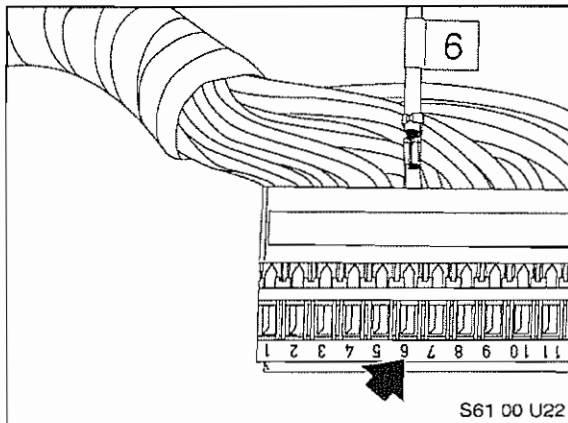
16. Route accessory harness (1) from RH side of center fresh air grill opening so that 4-position white socket terminal connector (2) and single black wire with socket terminal end (3) are directed to glove box area as shown.

17. Direct single black wire with socket terminal end (3) to General Module electrical carrier behind glove box.

18. Reinstall center fresh air grill assembly.

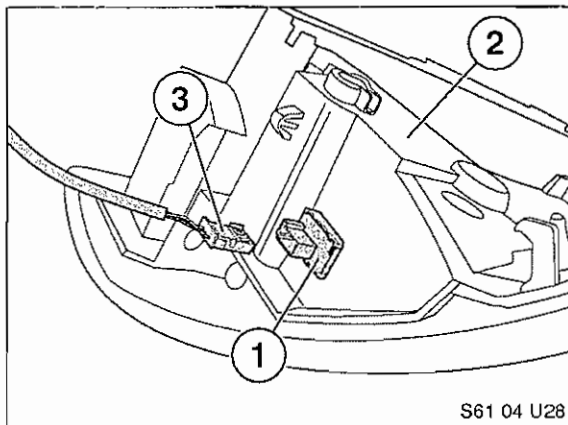


19. Locate and remove 54-position black connector **X253** (arrow) on General Module.
20. Disassemble socket terminal house from connector outer case connector **X253** using a small flat blade screwdriver.
21. Separate the single row from double row terminal houses by sliding them apart.



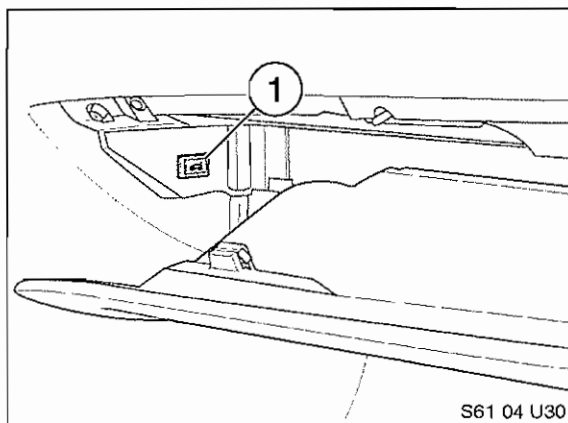
22. Direct single black wire with socket terminal end to connector **X253** and insert socket terminal into unoccupied position #6 as shown.

23. Reassemble connector **X253** and reconnect to General Module.



24. Install hatch release switch (1) into opening of glove box (2) as shown.

25. Neatly route accessory harness 4-position white socket terminal connector (3) and connect to hatch release switch (1).



26. Re-install glove box.

27. Test operation of hatch release switch (1).

Note: Rear Hatch Release Switch is active only when vehicle is traveling less than 5 mph or stopped.

28. Re-install all previously removed or displaced components and trim parts.

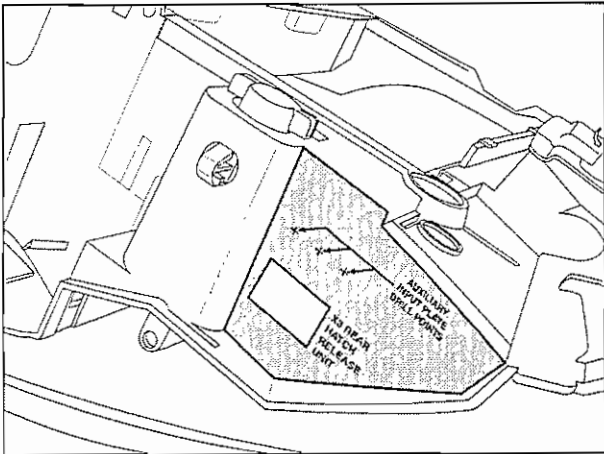
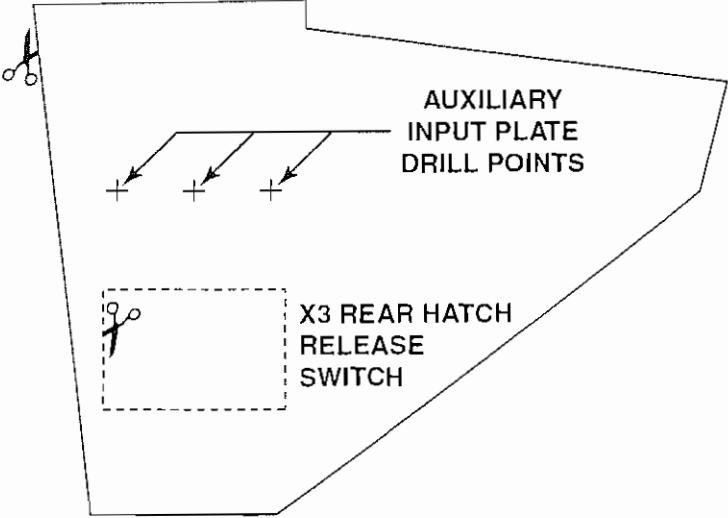
RETROFIT CODING

There is no retrofit coding required for this installation.

TROUBLESHOOTING

Situation	Correction
No operation for trunk release	Check that pin #6 connection in general module is correctly inserted. Ensure that vehicle is stopped or traveling less than 5 mph.

X3 REAR HATCH RELEASE SWITCH & AUXILIARY INPUT PLATE TEMPLATE



Position template on the glove box assembly as shown