



This Service Information bulletin supersedes S.I. B12 08 03 **dated November 2003.**

**NEW** designates changes to this revision

## SUBJECT

### Bremi Ignition Coil Replacement

## MODEL

E36/7; M roadster/coupe with S54 from 02/01 up to 06/02

**NEW** E46, M3 with S54 from 03/01 up to 11/02, and from 01/03 up to 07/03

**NEW** E46 with M54 from 09/02 up to 11/02, and from 01/03 up to 07/03

**NEW** E39 with M54 from 09/02 up to 11/02, and from 01/03 up to 07/03

**NEW** E53, X5 3.0 from 09/02 up to 11/02, and from 01/03 up to 07/03

**NEW** E85, Z4 from series introduction up to 11/02, and from 01/03 up to 07/03

## SITUATION

Engine may run rough and "Check Engine" light is illuminated. Misfire faults are stored in DME control module.

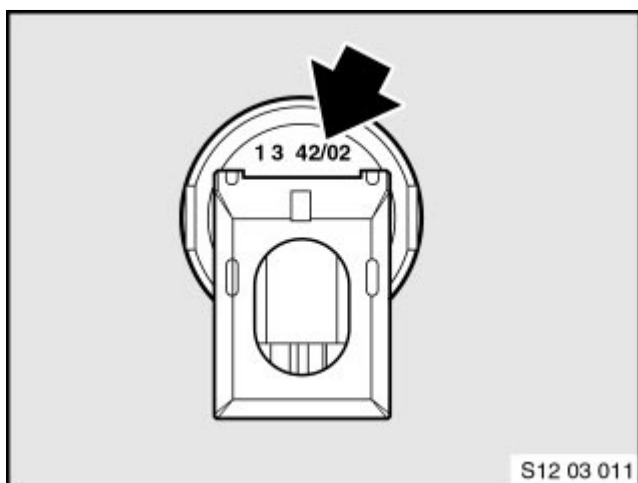
## CAUSE

Reduced ignition firing power of BREMI coils due to coil internal insulation deterioration.

## **NEW** CORRECTION

Follow the appropriate Test Plan from DIS Plus/GT1.

If BREMI ignition coil is found to be defective, and the production date stamped on top of other coils housing's is **42/2002 or earlier, or in the range from 01/03 up to 24/03 all six coils must be replaced**. For replacement instructions refer to RA 12 13 511 found in BMW TIS.



The last four digits stamped on the top of BREMI ignition coil housing indicate the calendar week and year of production.

As shown on illustration: Week 42 of 2002

Only coils manufactured by BREMI are affected. BREMI coils are easily recognizable by the all black, shiny housings.

Bosch coils, which can also be fitted in M roadster/coupe and M3 vehicles with S54 engines, are not affected and should NOT be replaced as a set. Bosch coils have a silver, aluminum housing.

## PARTS INFORMATION

Part Number	Description	Quantity
12 13 1 712 223	BREMI ignition coil	Maximum of 6

## WARRANTY INFORMATION

Covered under the terms of the BMW New Vehicle Limited Warranty.

**Defect Code**            **12 13 91 12 00**

**Labor Operation:**    **Labor Allowance:**

Main Work	00 54 124	11 FRU – E46, M3 with S54 8 FRU – E36/7, M roadster/coupe with S54 <b>NEW</b> 7 FRU – E85, Z4 with M54 9 FRU – E39 with M54 7 FRU – E46 with M54 7 FRU – E53 X5 with M54
+ Associated Work	00 54 692	9 FRU – E46, M3 with S54 6 FRU – E36/7, M roadster/coupe with S54 <b>NEW</b> 6 FRU – E85 with M54 6 FRU – E39 with M54 7 FRU – E46 with M54 5 FRU – E53 X5 with M54

Note: The following explanations will spell out the correct use of the work times.

**Main Work:**        Use this labor operation number when the only repair performed is the listed warranty repair.

OR

**+Associated Work:**    Use this labor operation number when other repairs or services are performed along with the listed warranty repair.  
Under no circumstances should both labor operation numbers be claimed. Attempts to claim both times will result in an unnecessary delay in claim processing and payment.